

STARPOWER

SEMICONDUCTOR

Rectifier Diode

RD75FPJ180K6S

1800V/75A in one-package

General Description

STARPOWER Rectifier Diode Power Module provides ultra low conduction loss. They are designed for the applications such as SMPS.

Features

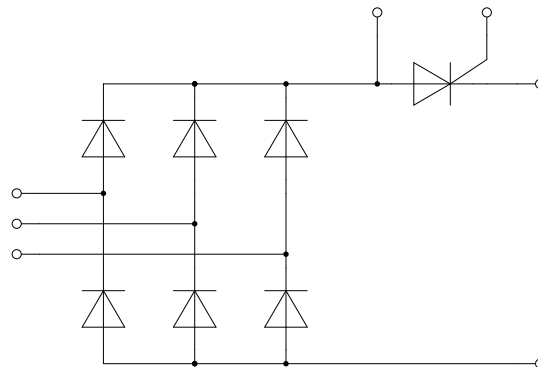
- Low forward voltage drop
- Small temperature coefficient
- High Surge Capacity
- Low inductance
- Isolated Copper Baseplate Using DBC Technology



Typical Applications

- Input bridge rectifier
- AC/DC motor control
- Power supply

Equivalent Circuit Schematic



Absolute Maximum Ratings $T_C=25^{\circ}\text{C}$ unless otherwise noted**Rectifier Diode**

Symbol	Description	Value	Unit
V_{RRM}	Repetitive Peak Reverse Voltage	1800	V
V_{RSM}	Non-repetitive Peak Reverse Voltage	1900	V
I_{FAV}	Average Forward Current $T_C=85^{\circ}\text{C}$	75	A
I_{FSM}	Surge Forward Current $V_R=0\text{V}, t_p=10\text{ms}, T_j=25^{\circ}\text{C}$ $V_R=0\text{V}, t_p=10\text{ms}, T_j=125^{\circ}\text{C}$	2625	A
		2100	
I^2t	I^2t -value $V_R=0\text{V}, t_p=10\text{ms}, T_j=25^{\circ}\text{C}$ $V_R=0\text{V}, t_p=10\text{ms}, T_j=125^{\circ}\text{C}$	34453	A^2s
		22050	

Thyristor

Symbol	Description	Value	Unit
V_{RRM}	Repetitive Peak Reverse Voltage	1800	V
V_{RSM}	Non-repetitive Peak Reverse Voltage	1900	V
I_{TAV}	Average On-state Current $T_C=80^{\circ}\text{C}$	75	A
I_{TSM}	Surge Forward Current $V_R=0\text{V}, t_p=10\text{ms}, T_j=25^{\circ}\text{C}$ $V_R=0\text{V}, t_p=10\text{ms}, T_j=125^{\circ}\text{C}$	1680	A
		1522	
I^2t	I^2t -value $V_R=0\text{V}, t_p=10\text{ms}, T_j=25^{\circ}\text{C}$ $V_R=0\text{V}, t_p=10\text{ms}, T_j=125^{\circ}\text{C}$	14112	A^2s
		11582	
$(di/dt)_{cr}$	Critical Rate of Rise of On-state Current $T_j=125^{\circ}\text{C}$	150	$\text{A}/\mu\text{s}$
$(dv/dt)_{cr}$	Critical Rate of Rise of On-State Voltage $T_j=125^{\circ}\text{C}$	1000	$\text{V}/\mu\text{s}$

Module

Symbol	Description	Value	Unit
T_{jmax}	Maximum Junction Temperature	150	$^{\circ}\text{C}$
T_{jop}	Operating Junction Temperature	-40 to +150	$^{\circ}\text{C}$
T_{STG}	Storage Temperature Range	-40 to +125	$^{\circ}\text{C}$
V_{ISO}	Isolation Voltage RMS, $f=50\text{Hz}, t=1\text{min}$	4000	V

Rectifier Diode $T_C=25^\circ\text{C}$ unless otherwise noted

Symbol	Parameter	Test Conditions		Min.	Typ.	Max.	Unit
V_F	Diode Forward Voltage	$I_F=300\text{A}$	$T_j=25^\circ\text{C}$			1.55	V
			$T_j=125^\circ\text{C}$			1.50	
I_R	Diode Reverse Current	$V_R=V_{RRM}$	$T_j=125^\circ\text{C}$			4.50	mA

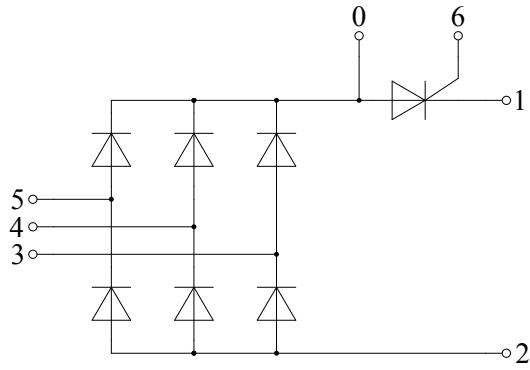
Thyristor Diode $T_C=25^\circ\text{C}$ unless otherwise noted

Symbol	Parameter	Test Conditions		Min.	Typ.	Max.	Unit
V_T	Forward Voltage	$I_T=300\text{A}$	$T_j=25^\circ\text{C}$			1.90	V
			$T_j=125^\circ\text{C}$			1.85	
I_D	Reverse Current	$V_R=V_{RRM}$	$T_j=25^\circ\text{C}$			0.05	mA
			$T_j=125^\circ\text{C}$			10.0	
V_{GT}	Gate Trigger Current	$V_D=12\text{V}, T_j=25^\circ\text{C}$				1.5	V
I_{GT}	Gate Trigger Voltage	$V_D=12\text{V}, T_j=25^\circ\text{C}$		10		80	mA
V_{GD}	Gate Non-trigger Current	$T_j=125^\circ\text{C}$		0.25			V
I_H	Holding Current	$T_j=25^\circ\text{C}$				150	mA
I_L	Latching Current	$I_G=1.2I_{GT}, T_j=25^\circ\text{C}$				200	mA

Module Characteristics $T_C=25^\circ\text{C}$ unless otherwise noted

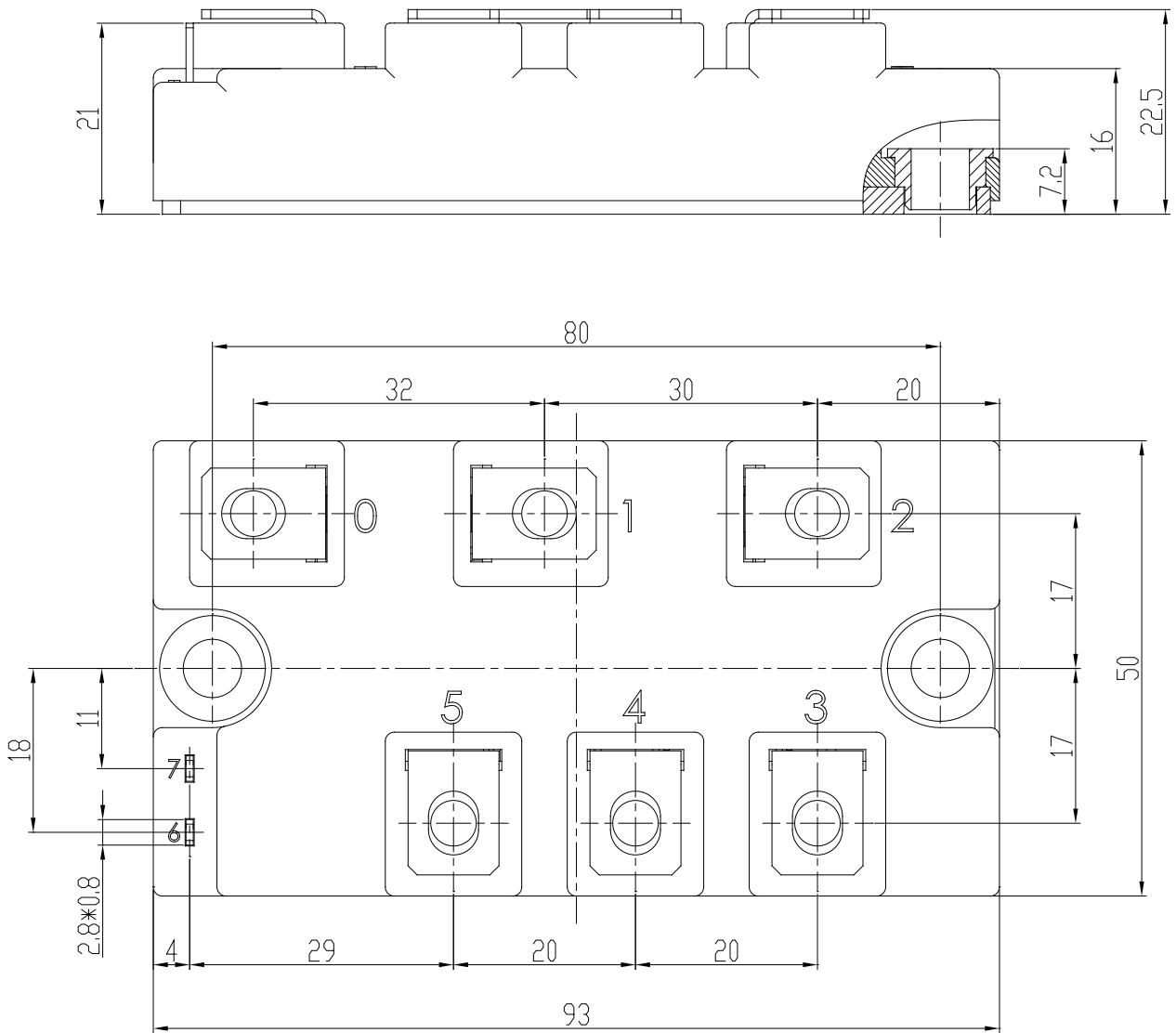
Symbol	Parameter	Min.	Typ.	Max.	Unit
R_{thC}	Junction-to-Case (per Rectifier)			0.434	K/W
	Junction-to-Case (per Thyristor)			0.296	
R_{thCH}	Case-to-Heatsink (per Rectifier)		0.336		K/W
	Case-to-Heatsink (per Thyristor)		0.229		
	Case-to-Heatsink (per Module)		0.045		
M	Terminal Connection Torque, Screw M5 Mounting Torque, Screw M5		2.7		N.m
G	Weight of Module		150		g

Circuit Schematic



Package Dimensions

Dimensions in Millimeters



Terms and Conditions of Usage

The data contained in this product datasheet is exclusively intended for technically trained staff. you and your technical departments will have to evaluate the suitability of the product for the intended application and the completeness of the product data with respect to such application.

This product data sheet is describing the characteristics of this product for which a warranty is granted. Any such warranty is granted exclusively pursuant the terms and conditions of the supply agreement. There will be no guarantee of any kind for the product and its characteristics.

Should you require product information in excess of the data given in this product data sheet or which concerns the specific application of our product, please contact the sales office, which is responsible for you (see www.powersemi.cc), For those that are specifically interested we may provide application notes.

Due to technical requirements our product may contain dangerous substances. For information on the types in question please contact the sales office, which is responsible for you.

Should you intend to use the Product in aviation applications, in health or live endangering or life support applications, please notify.

If and to the extent necessary, please forward equivalent notices to your customers.
Changes of this product data sheet are reserved.